

APPLICATION:

PRODUCT NAME:
8" ADJ. WALL CONTROL VALVE
WITH FEMALE OUTLET

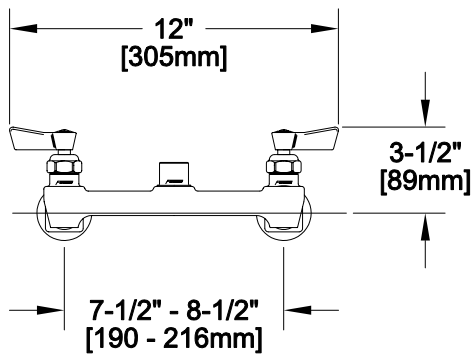
JOB NAME:

SPECIAL CONFIGURATION
 CHECK BASE MODEL AND OPTIONS

QUANTITY:

ITEM NO.

MODEL:
 2200



- OPTIONS OR MODIFICATIONS:
- SUPPLY LINES (24" OR 36") CIRCLE LENGTH
 - NIPPLES
 - ELBOWS
 - HANDLES (CROSS OR WRIST) CIRCLE STYLE
 - VANDAL RESISTANT KIT
 - OTHER _____

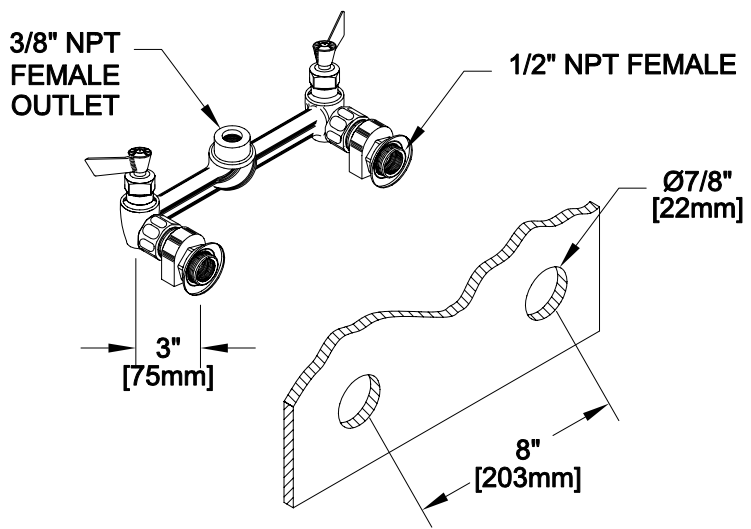
FEATURES

- CONTROL VALVE
- * ECCENTRICS ADJUST FROM 7-1/2" TO 8-1/2"
 - * SWIVELLING SEAT DISKS
 - * HOT SIDE STEM - RIGHT HAND
 - * COLD SIDE STEM - LEFT HAND
 - * STAINLESS STEEL SEATS
 - * STAINLESS STEEL SEAT SCREWS
 - * STAINLESS STEEL HANDLE SCREWS

- SYSTEM LIMITS
- * TEMP: 40°F MIN. TO 140°F MAX.
 - * PRESSURE: 200 PSI MAX. STATIC
 - * 2.20 GPM @ 80 PSI

SHIPPING WEIGHT
* 4.0 LBS

ROUGH-IN:



FISHER MANUFACTURING COMPANY
TOLL FREE: 800-421-6162 - FAX: 800-832-8238
information@fisher-mfg.com - www.fisher-mfg.com